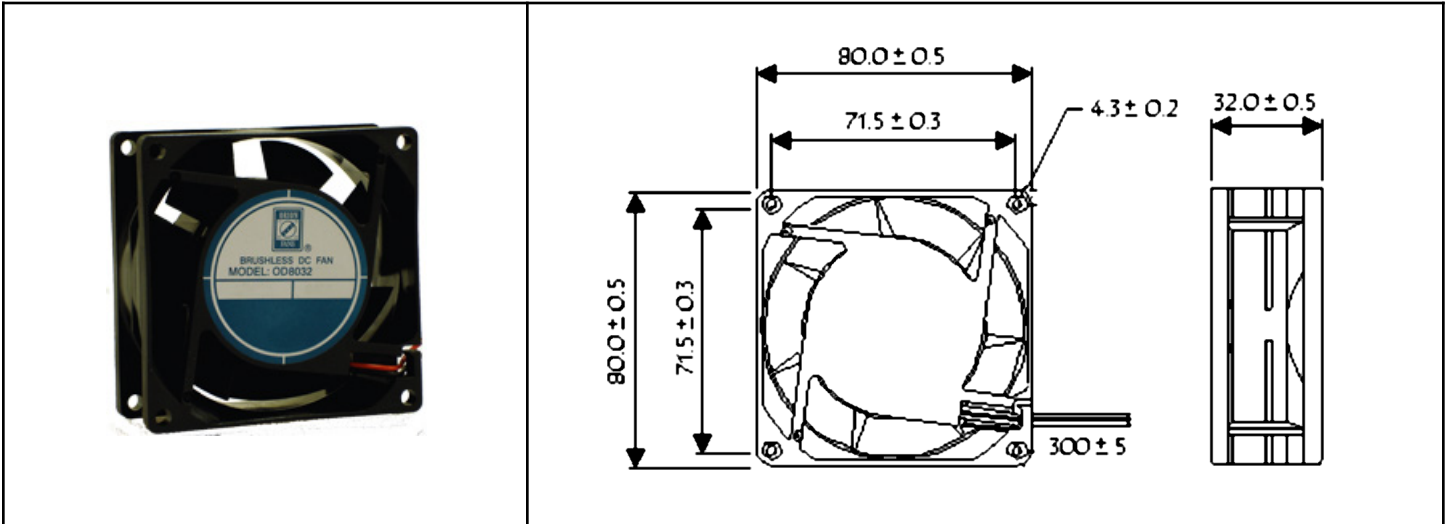


# OD8032 Series



DC Fan - 12, 24, 48V  
80x32mm (3.15"x 1.25")



Frame & Impeller	PBT, UL94V-O plastic	<b>Available Options:</b> Tachometer (FG) Alarm (RD) Thermal Speed Control (Thermistor) PWM Input (Manual Speed Control) Life Expectancy (L10) Ball Bearing 60,000 hours (L10 at 40C) Sleeve Bearing 30,000 hours (L10 at 40C) Operating Temperature Ball Bearing -20C ~ +80C Sleeve Bearing -10C ~ +50C	
Connection	2x Lead wires		
Motor	Brushless DC, auto restart, polarity protected		
Bearing System	Dual Ball or Sleeve		
Insulation Resistance	10M ohm between leadwire and frame (500VDC)		
Dielectric Strength	1 second at 500 VAC, max leakage - 500 MicroAmp		
Storage Temperature	-30C ~ +90C		

Model Number	Speed (RPM)	Airflow (CFM)	Noise (dB)	Volts DC	Voltage Range	Amps	Max. Static Pressure (\"H2O)
OD8032-12H*	4800	42	40	12	8~17	0.55	0.43
OD8032-12M*	3800	32	36	12	8~17	0.45	0.28
OD8032-12L*	3200	26	31	12	8~17	0.35	0.20
OD8032-24H*	4800	42	40	24	12~30	0.38	0.43
OD8032-24M*	3800	32	36	24	12~30	0.28	0.28
OD8032-24L*	3200	26	31	24	12~30	0.23	0.20
OD8032-48H*	4800	42	40	48	24~56	0.16	0.43
OD8032-48M*	3800	32	36	48	24~56	0.10	0.28
OD8032-48L*	3200	26	31	48	24~56	0.08	0.20

\* Indicate "B" to specify Ball bearing or "S" to specify Sleeve bearing